

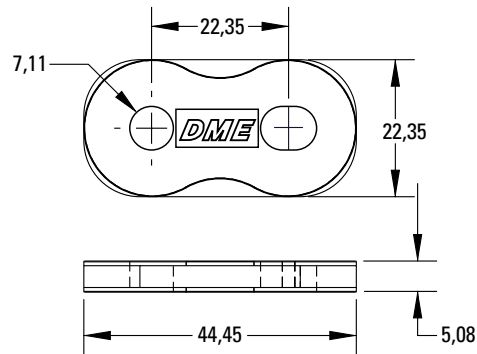
DME MOLD STRAPS

Features and Benefits

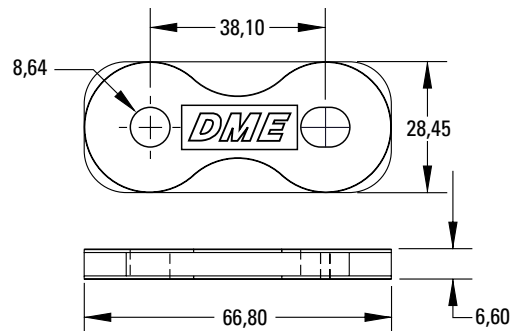
- Ideal for securing mold assembly stack-ups during transport or storage
- Offered as pairs in three sizes
- Constructed of cast metal for strength and durability
- Yellow-powder coating provides corrosion resistance and high visibility



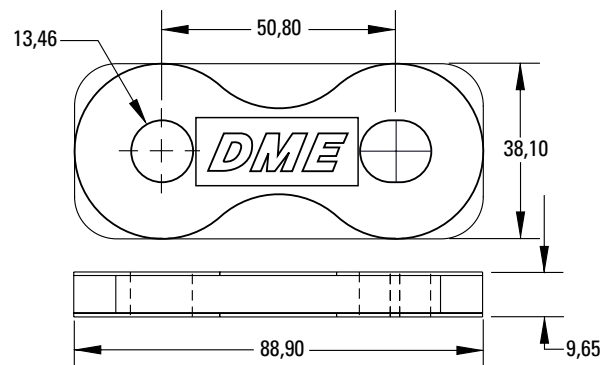
Ref.	Pitch (mm)
MLDST088	22,35



Ref.	Pitch (mm)
MLDST150	38,10



Ref.	Pitch (mm)
MLDST200	50,80



AT
P: 0800 301 060
F: 0800 401 020
dme_oesterreich@milacron.com

BE
P: +32 (0) 15 28 87 30
F: +32 (0) 15 40 51 17
dme_benelux@milacron.com

CH
P: +41 0848 567 364
F: +41 0848 567 365
dme_schweiz@milacron.com

CZ
P: 800 142 451 | +420 572 151 754
F: 800 142 450 | +420 571 611 996
dme_cz@milacron.com

DE
P: 0800 664 82 50 | +49 (0) 2351 437 0
F: 0800 664 82 51 | +49 (0) 2351 437 220
dme_normalien@milacron.com

ES
P: 900 900 342
F: 900 900 343
dme_iberia@milacron.com

FR
P: +33 1 49 93 92 23
F: +33 1 49 93 92 22
dme_france@milacron.com

HU
P: 0680 205 00 | +32 15 28 87 30
F: +32 15 40 51 17
dme_hungary@milacron.com

IT
P: 800 089 734
F: 800 089 735
dme_italy@milacron.com

NL
P: +31 (0) 20 654 5571
F: +31 (0) 20 654 5572
dme_benelux@milacron.com

PL
P: +800 331 1312 | +32 15 21 50 92
F: +800 331 1313 | +32 15 40 51 92
dme_polska@milacron.com

PT
P: 800 207 900
F: 800 207 901
dme_iberia@milacron.com

SK
P: 0800 142 451 | +420 572 151 754
F: 0800 142 450 | +420 571 611 996
dme_cz@milacron.com

UK
P: +44 2071 3300 37
F: +44 2071 3300 36
dme_uk@milacron.com

Other Countries
P: +32 15 28 87 30
F: +32 15 40 51 17
dme_export@milacron.com